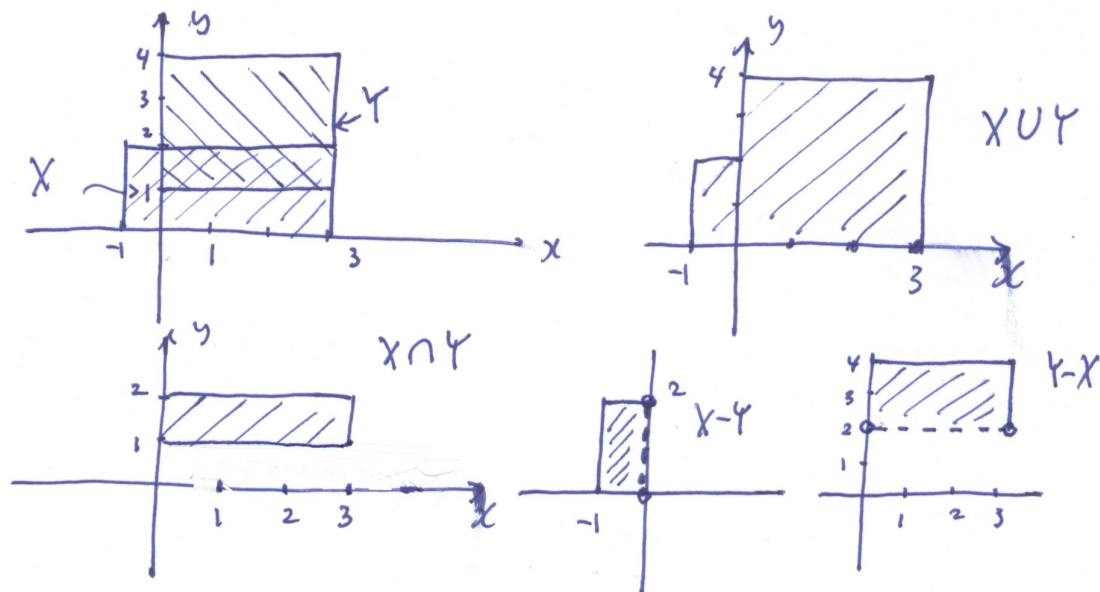
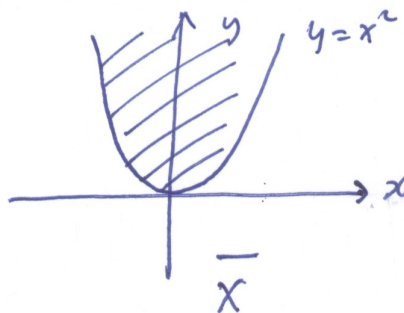
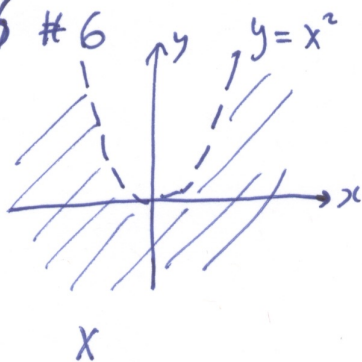


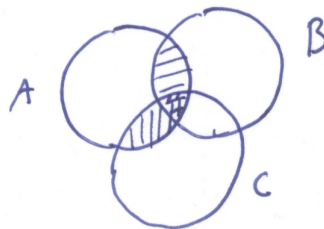
§ 1.5, # 6



§ 1.6 # 6



§ 1.7 # 6



The Venn diagrams suggest
 $A \cap (B \cup C) = (A \cap B) \cup (A \cap C)$

§ 1.7 # 10

